

P4-4R(3.6)A

4MP IR Fixed Dome Camera



Features

- ▶ Supports backlight adaptation and overcast adaptation
 - ▶ 1/3" CMOS sensor
 - ▶ 120 dB super wide dynamic range (WDR), ensuring that both foreground and background objects are clearly identified in environments with sharp light contrast
 - ▶ H.265 or H.264 HD encoding at a low bit rate
 - ▶ 30 m IR range
 - ▶ Built-in microphone for sound pickup
- Support for PoE

Technical Specifications

Model		P4-4R(3.6)A				
Major Specifications						
Main control	Memory	DDR3 0.128 GB				
	Flash type	SPI NOR FLASH 16.0 MB				
Camera	Focal length	3.6mm				
	Max Aperture	F1.6				
	Image sensor	1/3" CMOS/4MP 2560(H)*1440(V)				
	Lens aperture type	Fixed iris				
	Angle of view	Horizontal: 78°; vertical: 42°; error: ±5%				
	IR range	30m				
	IR Wavelength	850 nm				
	DORI		D(m)	O(m)	R(m)	I(m)
		W	72.0	29.0	14.4	7.2
Intelligence						
Event detection	Event detection	Motion detection, human figure detection and lens blocking detection				
Open ecosystem						
Data openness	Data openness	SDK (proprietary protocol)/REST API (proprietary protocol) /ONVIF Profile S/G/T				
Image						
Codec	Video encoding format	H.264/H.265				
	Video encoding channels	Dual streams				
	Video frame rate	25 fps/20 fps (configurable)				
Image AI	Scene adaptation	Backlight adaptation/Overcast adaptation				
Image ISP	Day/Night mode	Day/Night mode: automatic, color, B/W, and scheduled (default: automatic)				
	WDR	120db				
	White balance	Auto/Manual/Automatic tracking/Global/Locked				
	HLC/BLC	Supported;/Supported				
	Shutter speed	Shutter speed range: 1/100000s to 1/3s Default value in live video mode: 1/25s				
	SNR	>45dB				
	Primary stream resolution	2560×1440(4MP),1920×1080(1080P),1280×720(720P),720×576(PAL)				
	Secondary stream resolution	Secondary stream 1:720×576(PAL),720×480(NTSC),352×288(PAL), 352×240(NTSC)				
Video bit rate	1080p to 4K: 512 kbit/s to 8 Mbit/s 1080p: 256 kbit/s to 8 Mbit/s 720p: 256 kbit/s to 4 Mbit/s D1: 256 kbit/s to 2 Mbit/s CIF: 32 kbit/s to 1 Mbit/s					

	Digital noise reduction	2D/3D noise reduction
Audio		
Audio	Audio encoding format	G.711a/G.711u/G.726/AAC (default: G.711a)
	Audio sampling rate	G.711a/G.711u/G.726:8K AAC:8K/16K/22.05K/24K/32K/44.1K/48K
	Audio bit rate	G.711a/G.711u: 64 kbit/s G.726: configurable (16/24/32/40 kbit/s) AAC: 8 kHz sampling rate: 16/22/24/32/48 kbit/s 16 kHz sampling rate: 24/32/48/64/96 kbit/s 22.05/24/32 kHz sampling rate: 32/48/64/96/128 kbit/s 44.1/48 kHz sampling rate: 48/64/96/128/256 kbit/s

Networking		
Network transmission	Protocols supported by IPv4	TCP, UDP, IPv4, DHCP, DNS, ICMP, IGMP, HTTPS, FTP, SFTP, RTP, RTSP, RTCP, SIP, ARP, SSL, NTP, QoS,SMTP
	Protocols supported by IPv6	HTTPS,RTP,RTCP,RTSP,Onvif,IPv6,ICMPv6,DHCPv6
Web Browser	Web Browser	32- or 64-bit Windows 7, Windows 8, or Windows 10 Google Chrome: 32-bit Google Chrome 38–49 (The IE Tab plug-in must be installed for Google Chrome 46–49.) 32- or 64-bit Google Chrome 50+ 360 Secure Browser: Only 32- or 64-bit 360 Secure Browser 9+ is supported. Firefox: 32-bit Firefox 35–51 32- or 64-bit Firefox 70+ Microsoft Edge: 32- or 64-bit Microsoft Edge 50+ Restrictions: Compatibility problems may occur on the Firefox browser. (Pages may be out of order for a short time.)

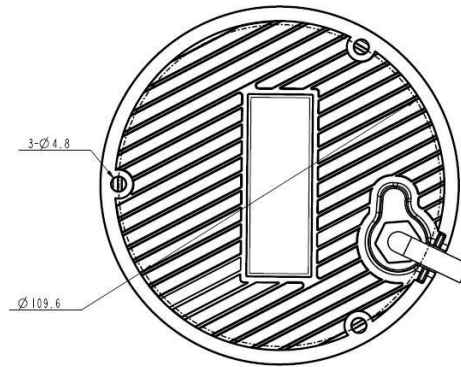
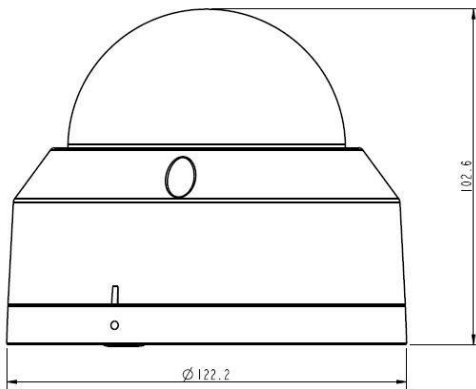
Security		
Data security	Media security	Supports web- or SDK-based media stream encryption; supports only one channel of encrypted media streams; media stream encryption and full intelligence, target recognition, or image upload through SFTP/FTP cannot be enabled at the same time; after the intelligent analysis function is enabled, only one-channel stream encryption is supported; RTSP uses MD5 digest authentication by default.
Service security	User rights	Three user roles: administrator, advanced operator, and common operator
	Security mode	User name and password authentication, 802.1X authentication, and HTTPS digital certificate
	Secure boot	Supported

Port	
Storage port	One microSD card slot that supports microSDHC/microSDXC (maximum memory card capacity: 256 GB)
Network port	One RJ45 10M/100M adaptive Ethernet port
Audio port	Supported (one-channel built-in microphone)

General Specifications	
Power type	DC12V,PoE(IEEE 802.3af)
Power consumption	Maximum:6W,typical:4W
Operating temperature	-30°C to 60°C
Storage temperature	-40°C to 70°C
Operating humidity	5% to 95%(non-condensing)
Surge protection	4kV

IP rating	IP67
Equipment Anti Corrosion	Class C
Weight	Net weight 488g;Gross weight 672g
Dimensions	Device dimensions 122 mm x 122 mm x 102 mm (without package);Package dimensions 142mm×140mm×112mm
Language	Simplified Chinese, English, French, Spanish, Portuguese (Europe), Portuguese (Brazil), Thai, and Turkish

Dimensions



Recommended Accessories

